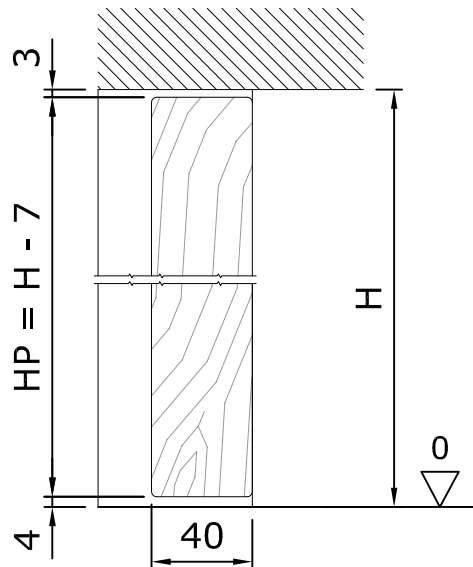
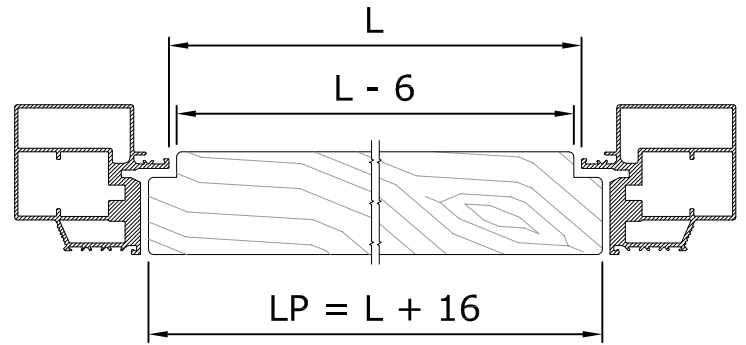
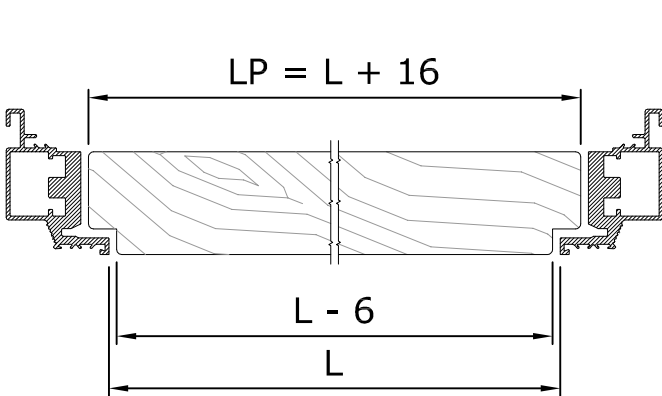
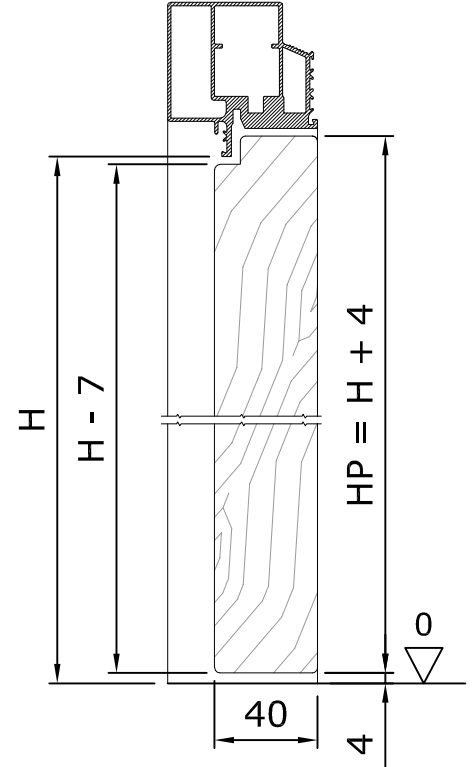
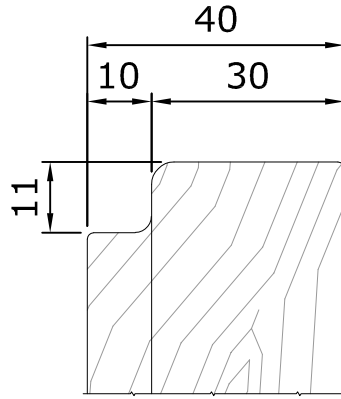
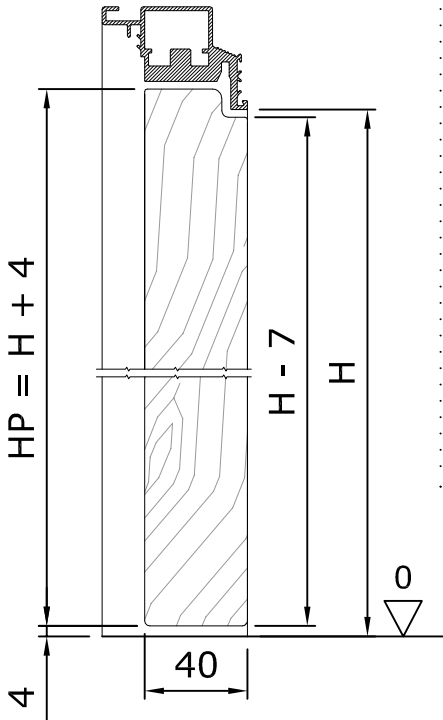
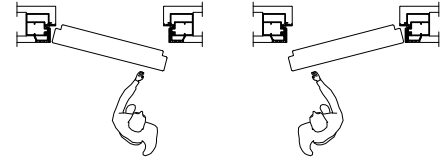
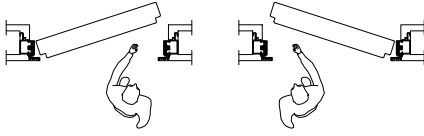
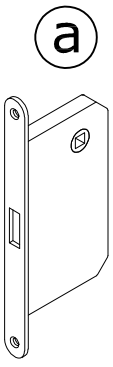


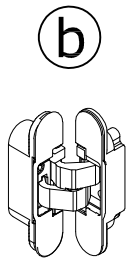
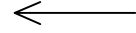
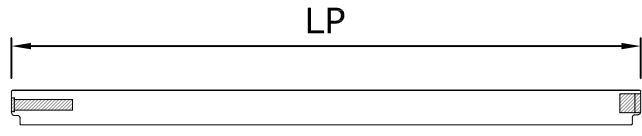
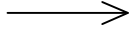
SYNTESIS® LINE BATTENTE 72
HINGED - DOOR PREP

0293
01

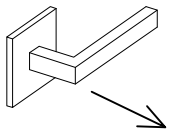




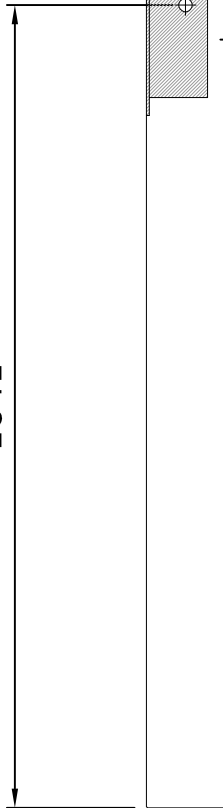
(a)



(b)

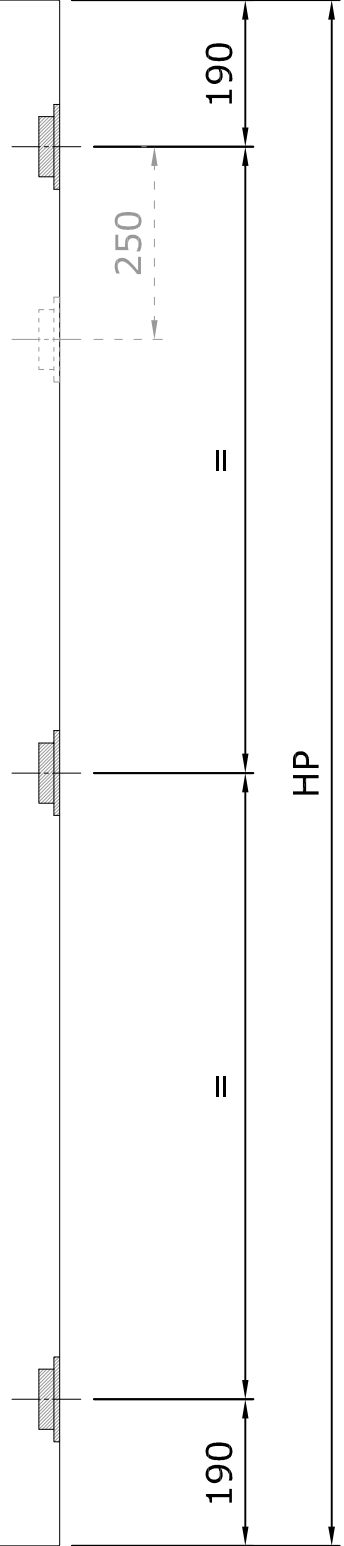


1041



50,5

996



190

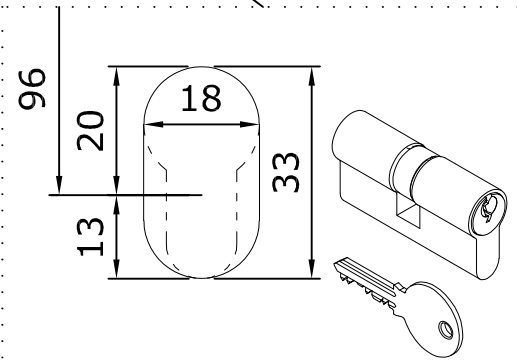
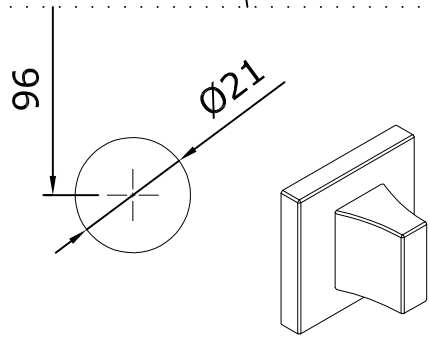
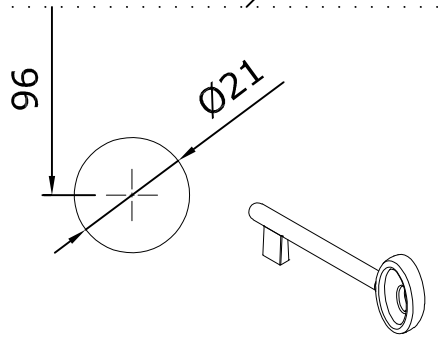
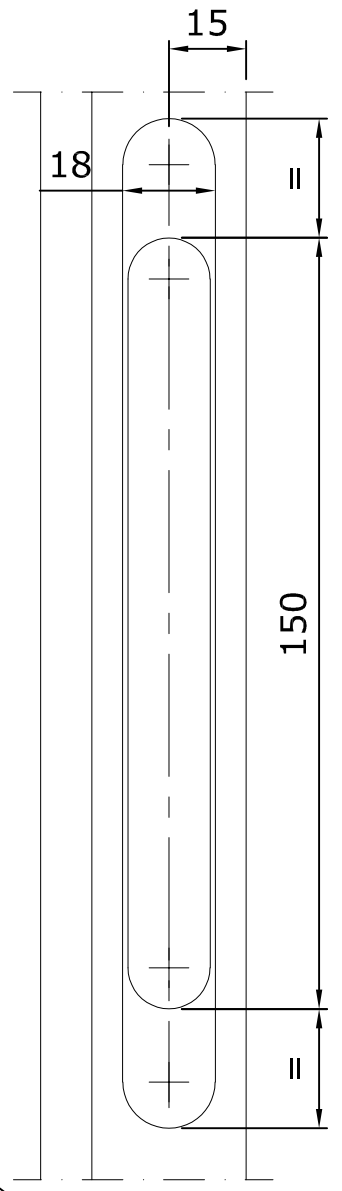
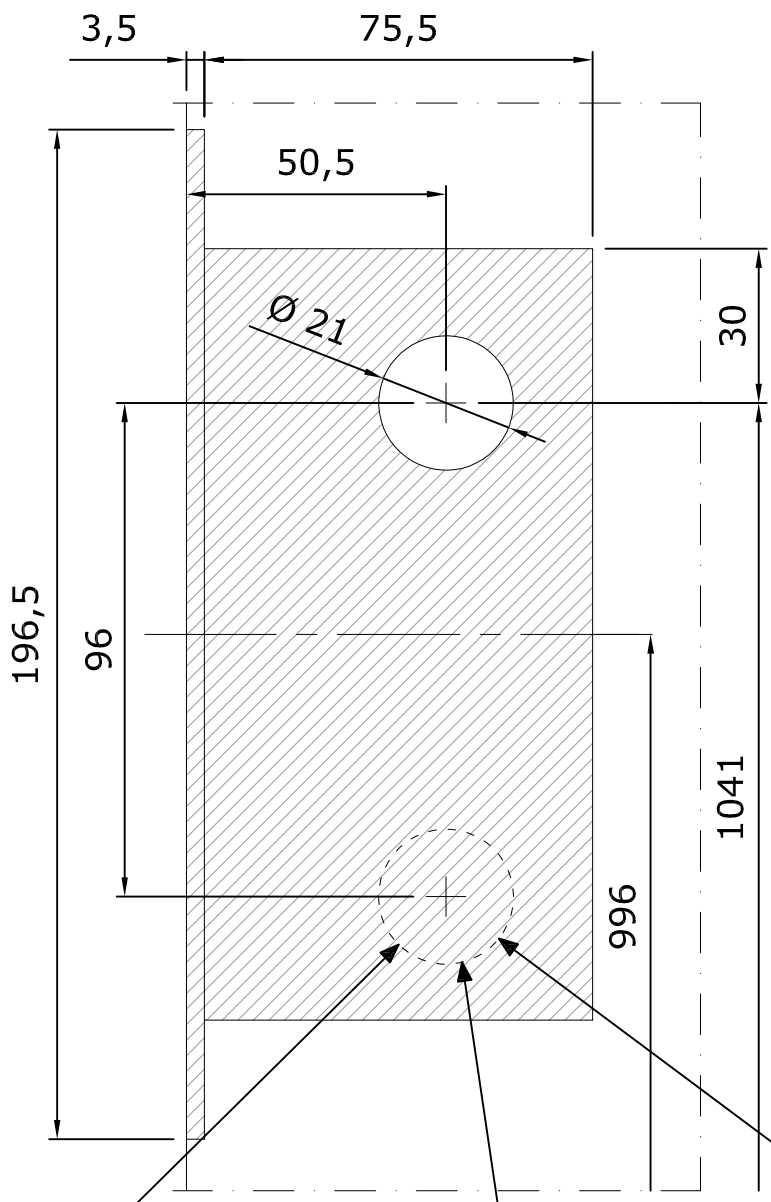
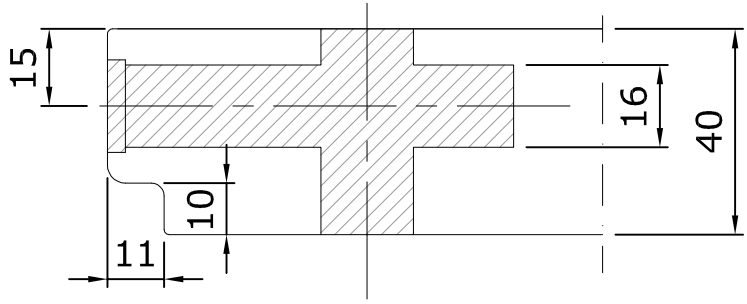
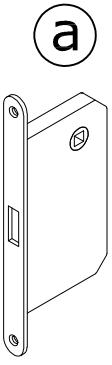
250

=

HP

=

190



b

